

Fork Truck Attachments

OWNER'S MANUAL

PALLET DUMPER / RETAINER PAL-D/R

Contents

Safety Instructions for the Operator	2	Routine Maintenance	3
Installation Instructions	2	Location of Center of Gravity	4
Operation Instructions	2	Safety Label Identification	5
Loading Instructions	2	Warranty	6

FAILURE TO READ AND COMPLY WITH OWNER'S MANUAL MAY RESULT IN ACCIDENT, LOSS, DAMAGE, INJURY OR DEATH!

WARNINGS & SAFETY INSTRUCTIONS

Read owner's manual completely before operating unit!

- Read and understand the owner's manual before using the pallet dumper/retainer.
- Ensure that all safety and warning labels stay in place and are legible. See the labels page in this manual.
- Observe all applicable OSHA laws regulating the use of this Fork Truck Attachment.
- Secure the pallet dumper/retainer to the forklift mast using the provided restraint strap before use.
- Never operate the pallet dumper / retainer unless you are watching it.
- Never use the pallet dumper / retainer if the cradle is in need of repairs or in the case of a malfunction.
- Do not stand below any part of a raised pallet dumper / retainer.
- Never exceed the 2000 pound maximum loading capacity of the pallet dumper/retainer.
- Consult factory for uneven loading or overhung loading.
- When elevation is not required, always transport the pallet in the lowered position.
- Always transport pallet only in horizontal position when fork truck is moving.
- Do not allow pallet to impact the floor, ground, or dumping station etc., or there may be damage to the unit.
- Remove pallet and all loads before working on unit.
- Consult factory if adding or performing any modification to the original equipment.
- Use only maintenance parts supplied or approved by the manufacturer.

- Not to be used as a personnel lift.
- **WARNING:** Never use the platform to lift or support any type of structural load.
- Fork truck manufacturers are to be consulted when accessories are used that affect the truck's capacity and safe operation. The unit's load-loss and center-of-gravity will be made available on request. See OSHA 1910.178(a)5.

RECEIVING INSTRUCTIONS

Every unit is thoroughly tested and inspected prior to shipment. However, it is possible that the unit may incur damage during transit. If damage is noticed when unloading, make a note of it on the **BILL OF LADING**. Remove all packing and strapping material, then inspect the unit again for damage. **IF DAMAGE IS EVIDENT, FILE A CLAIM WITH THE CARRIER IMMEDIATELY!**



PAL-D/R

⚠️WARNING

Improper use might result in serious personal injuries and/or property damage. Therefore, EVERYONE who might use, perform maintenance on, or service the pallet carrier/dumper must read, understand and apply the following instructions:

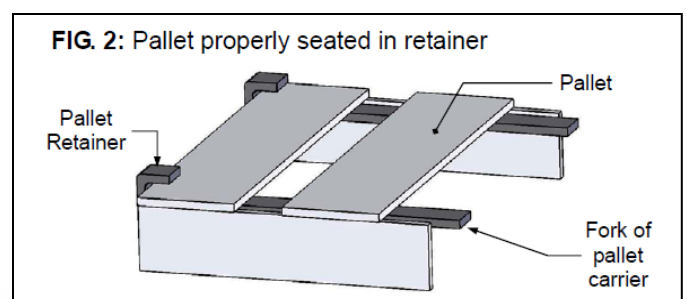
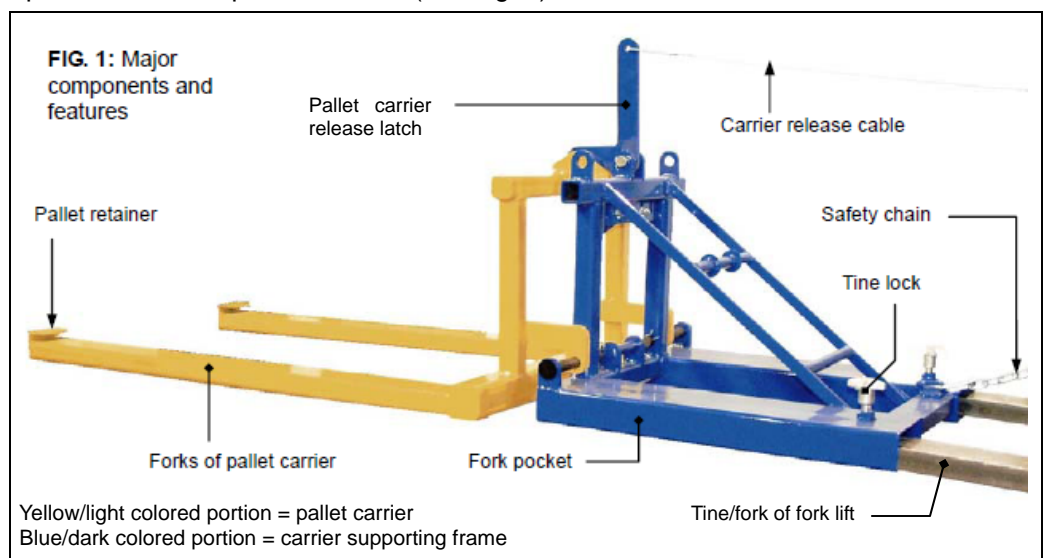
- This device is a [fork] lift truck attachment. BEFORE using this product, the lift truck should be marked: 1) to identify the attachment; and 2) to show the approximate weight of the truck and attachment combination at maximum elevation with load laterally centered. DO NOT exceed the center of gravity or maximum rated load of your lift truck.
- DO NOT exceed the maximum rated load of either the pallet carrier or the fork truck, whichever is smaller. The maximum rated load of the pallet carrier is 2,000 pounds (909kg), which means that the net weight applied to the pallet carrier, must not exceed 2,000 pounds (909kg).
- Secure the carrier to the fork truck with the safety chain. Wrap the safety chain around the fork carriage and fasten the snap hook at the end of the chain through a link of a chain. There must be **NO SLACK** in the chain.
- DO NOT dump/release the pallet carrier UNTIL everyone clears the zone of danger. Instruct all persons in the area to move to a safe location until *after* dumping is complete and the pallet carrier has been latched and lowered.
- Apply proper fork lift operation procedures applied at your worksite while using the pallet carrier.
- ONLY use undamaged pallets in conjunction with this carrier. The load supported by the pallet should be evenly distributed, and should be secured to the pallet, if necessary to prevent the load or part of it from falling off of the pallet as it is transported to the dumping location. The load MUST NOT overhang the pallet

Attaching PAL-D/R to a Fork Truck

1. Align the forks with the fork pockets of the carrier supporting frame (see “Blue portion” of FIG. 1, below); then drive the forks into the pockets until the tips of the forks contact the ends of the pockets.
2. Secure the PAL-D/R to the carriage of your fork truck with the safety chain: a) Wrap the chain through and around the carriage of your fork truck; then b) fasten the snap hook at the end of the chain through a link in the chain so that no slack remains in the chain. Fasten the hook to a link so that the chain cannot unwrap and disengage the fork carriage.
3. Tighten both of the tine locks (see FIG. 1) securely against the top surface of both tines/forks (of your fork lift).

Using the Pallet Carrier

1. Raise the forks so that the entire pallet carrier (see “Yellow portion” of FIG. 1, below) is no higher than necessary to avoid contact between the carrier and obstacles encountered along the travel path. Tilt the mast backwards to raise the tips of the forks.
2. Align the tips of the forks of the pallet carrier with the selected pallet, and drive the forks through the pockets of the pallet so that the pallet retainers stick out of the opposite side. BEFORE lifting the pallet, adjust the elevation and position of the forks to secure the pallet under both pallet retainers (see Fig. 2).
3. Raise the forks to lift the pallet and drive to the dumping location.
4. [To dump items into a receptacle] Raise the forks above the side of the receptacle (e.g. dumpster), and drive forward until the side of the dumpster is directly beneath the middle of the forks of the pallet carrier. Lower the carrier until it rests on the side of the dumpster.
5. Disengage the pallet carrier release latch by pulling the carrier release cable, and slowly raise the forks to allow the pallet carrier to tilt forward. Stop pulling the cable as the carrier begins to tilt forward.
6. If necessary to direct the trash as it slides off of the pallet, slowly drive forward while raising the forks.
7. After unloading the pallet, lower the forks until the carrier securely latches to the supporting frame (see “Blue portion” of FIG. 1, above). Raise the carrier off of the ground to verify that it is properly and securely latched to the frame, and that the pallet is still properly retained.
8. Return the PAL-D/R to its designated storage location.



Evaluations and Maintenance

Before each use, inspect the listed components/features for obvious damage or structural deformation:

1. Safety chain and snap hook;
2. Pallet forks and pallet retainers;
3. Pallet carrier release latch;
4. Overall structure (particularly fork pockets and pallet carrier forks).

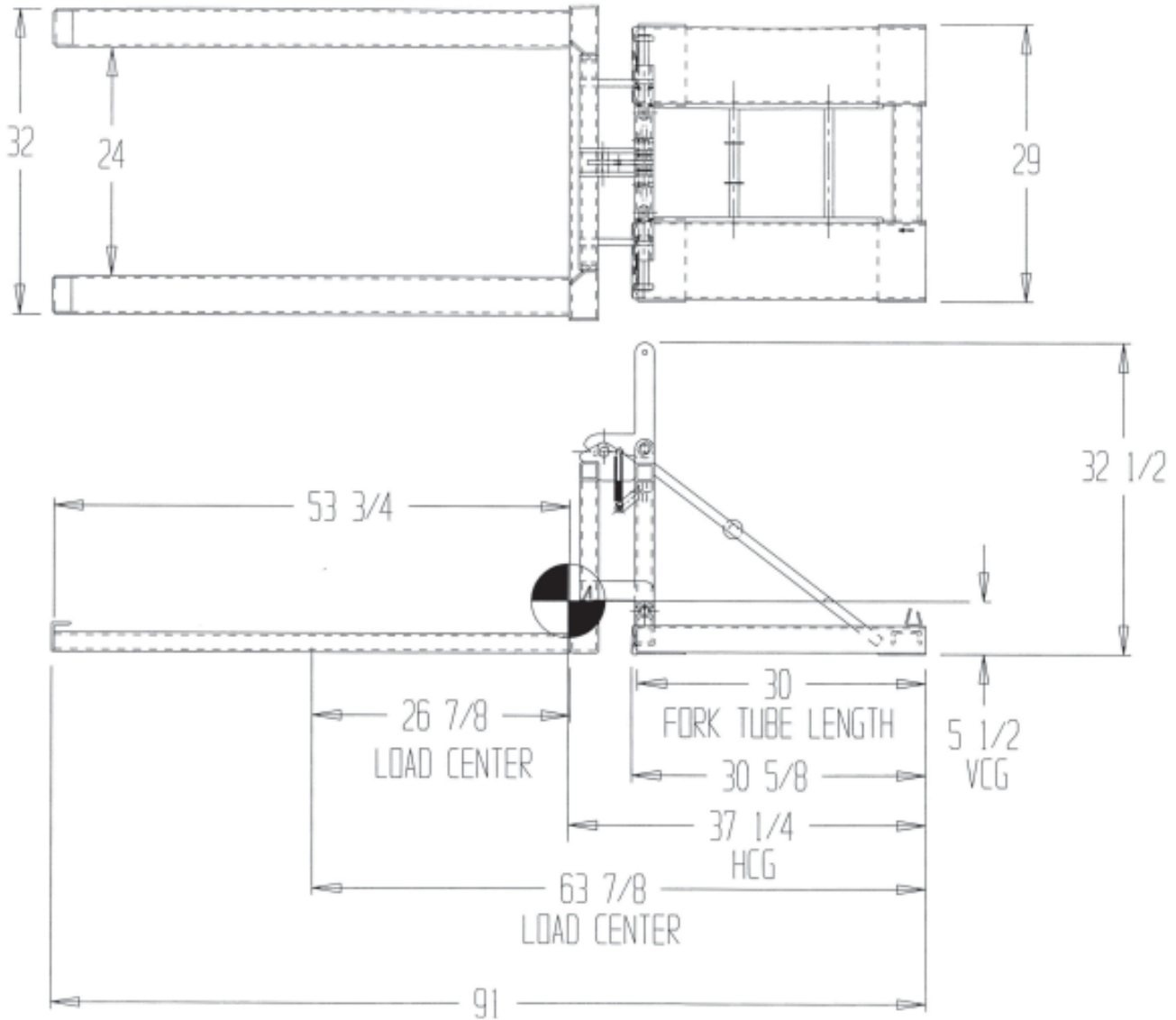
DO NOT use this device until it is restored to normal operating condition. If the PAL-D/R cannot be repaired, permanently remove it from service.

At least once per month, inspect:

1. Tine locks: confirm normal function.
2. Snap hook attached to the free end of the safety chain: confirm that the spring latch automatically closes securely against the hook as shown in the diagram to the right. If either the snap hook or chain is damaged, do not use the PAL-D/R until the damaged part has been replaced with a complete, new safety chain or snap hook.
3. Carrier release latch: confirm that the release latch functions normally. Pull the release cable and observe the latch as it opens and closes. The latch should close automatically. If the latch does not automatically close, replace the spring before resuming use of the platform.
4. Pivot points: inspect each pin as well as the hole each pin projects through, washers, and cotter pins for soundness (lack of warps, bends, and cracks; no excessive wear). Replace any part that is damaged before returning the PAL-D/R to use.
5. Overall structure: check the fork pockets, pallet carrier forks, pallet retainers, welds, carrier forks, and carrier supporting frame for excessively rusted or worn regions, corroded areas, bends, warps and cracks. The structure should be clean, square and rigid; it should be free of rust and corrosion. Remove dirt and debris. Do not use this pallet carrier if excessively rusted or corroded.
6. Product labels: all labels should be readable and located as shown in the diagram on p. 6. If a label is unreadable or missing, contact Vestil to order a replacement.

DO NOT use this device until it is restored to normal operating condition. If the PAL-D/R cannot be repaired, permanently remove it from service.

LOCATION OF CENTER OF GRAVITY



HCG: 37-1/4"

VCG: 5-1/2"

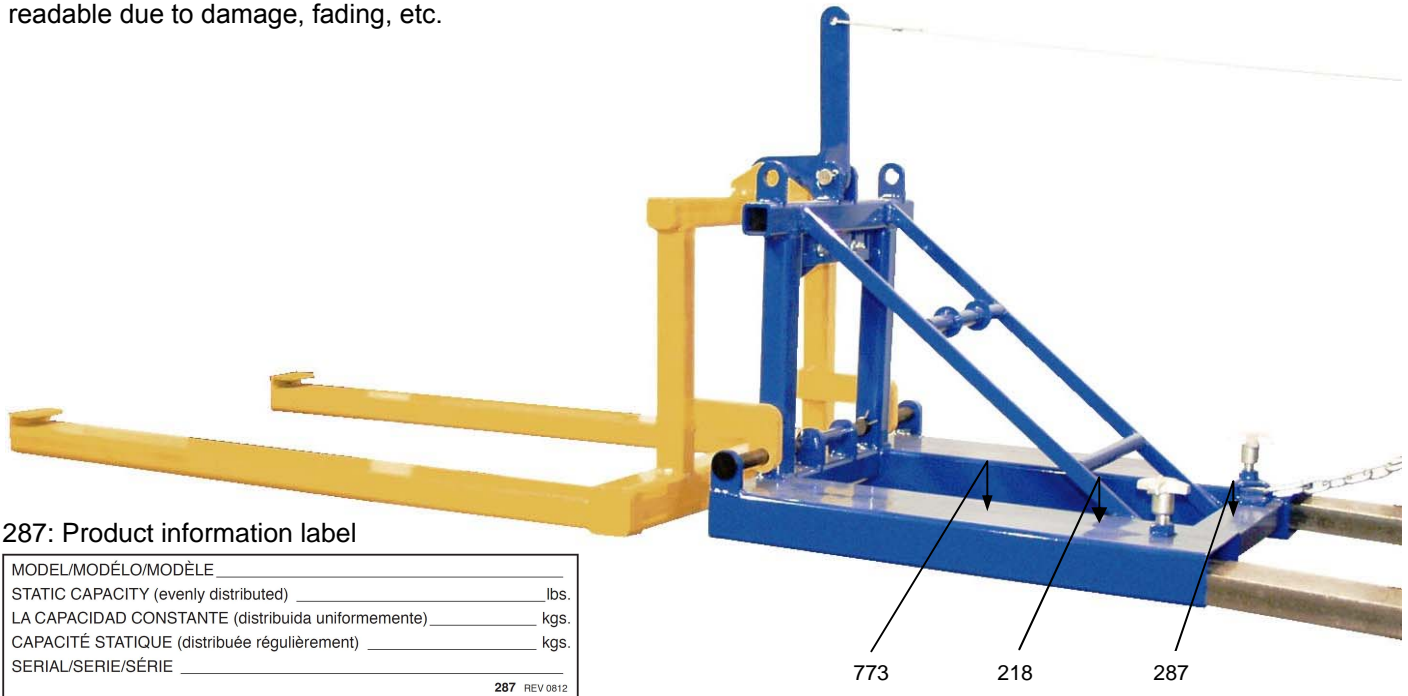
LOST LOAD: 340 LBS.

LOAD CENTER: 63-3/4"

(Effective thickness equals the total fork length minus the fork tube length.)

Labeling diagram:

The product should always be labeled as shown in the diagram below. Replace any label that is not easily readable due to damage, fading, etc.



287: Product information label

MODEL/MODÉLO/MODÈLE _____	
STATIC CAPACITY (evenly distributed) _____	lbs.
LA CAPACIDAD CONSTANTE (distribuida uniformemente) _____	kgs.
CAPACITÉ STATIQUE (distribuée régulièrement) _____	kgs.
SERIAL/SERIE/SÉRIE _____	

287 REV 0812

218: Secure product to fork truck

⚠ WARNING	⚠ ADVERTENCIAS
<p>Improper use might result in death or serious personal injury. Attach device to fork carriage with safety chain/strap.</p> <ul style="list-style-type: none"> • Drive lift truck forward until forks contact ends of fork pockets • Chain/straps must not be able to disconnect (slide free) from carriage. • Safety chain/strap must be taut. Connect chain/strap to carriage via shortest line. 	<p>El uso impropio puede resultar en muerte o heridas personales. Atar aparato al mástil del montacargas con cadenas/correas.</p> <ul style="list-style-type: none"> • Maneje el montacargas para adelante hasta que las cuñas hagan contacto con la orilla del bolsillo de las cuñas. • La cadenas y correas no deben de deslizarse (soltarse) del mástil del montacargas. • La cadena/correa de seguridad debe de estar apretado. Asegure la cadena/correa al mástil via la ruta mas corta. <p style="text-align: right; font-size: small;">218 rev/0910</p>

773: Hazards associated with use

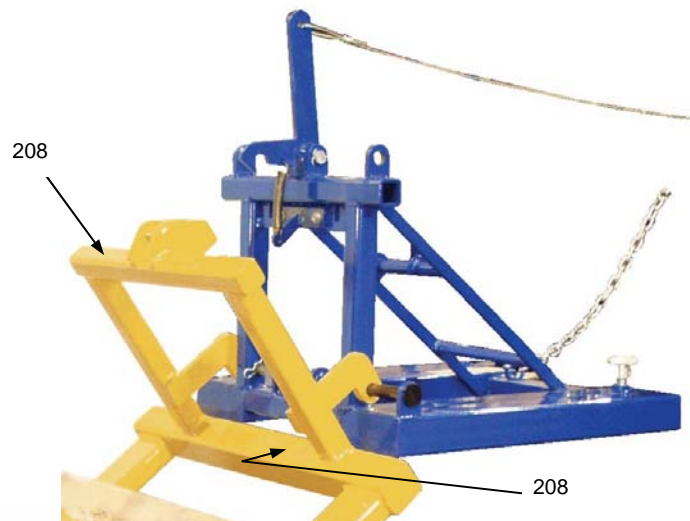
⚠ WARNING
<p>Material handling is inherently dangerous. Reduce the likelihood of causing serious personal injuries through misuse by applying the following:</p> <ol style="list-style-type: none"> 1. DO NOT exceed maximum rated load (capacity); 2. DO NOT use to lift or transport people; 3. DO NOT use with broken/damaged pallets; 4. ONLY use if in normal operating condition; 5. ONLY lift stable loads uniformly-distributed on pallet; 6. ONLY use to lift pallets that fit entirely within "Maximum pallet length".
⚠ ADVERTENCIA
<p>La manipulación del material es inherentemente peligrosa. Reduzca la probabilidad de causar daños serios al personal por el mal uso siguiendo las instrucciones a continuación:</p> <ol style="list-style-type: none"> 1. NO exceda la capacidad máxima de carga tasada 2. NO use para elevar o transportar personas 3. NO use con paletas dañadas o rotas 4. SOLO use si las condiciones de operación son normales 5. SOLO eleve cargas estables y uniformemente repartidas en la paleta 6. SOLO use para elevar paletas que encajan completamente en "la máxima longitud de la paleta"

773

208: Pinch point

⚠ WARNING	⚠ ADVERTENCIA	⚠ AVERTISSEMENT
KEEP CLEAR OF PINCH POINT	MANTENGASE ALEJADO DEL PUNTO DE CORTE	SE TENIR À DISTANCE DU POINT DE PINCEMENT

208



LIMITED WARRANTY

Vestil Manufacturing Corporation ("Vestil") warrants this product to be free of defects in material and workmanship during the warranty period. *Our warranty obligation is to provide a replacement for a defective original part if the part is covered by the warranty, after we receive a proper request from the warrantee (you) for warranty service.*

Who may request service?

Only a warrantee may request service. *You are a warrantee if you purchased the product from Vestil or from an authorized distributor AND Vestil has been fully paid.*

What is an "original part"?

An original part is a part used to make the product as shipped to the warrantee.

What is a "proper request"?

A request for warranty service is proper if Vestil receives: 1) a photocopy of the Customer Invoice that displays the shipping date; AND 2) a written request for warranty service including your name and phone number. Send requests by any of the following methods:

<u>Mail</u>	<u>Fax</u>	<u>Email</u>
Vestil Manufacturing Corporation 2999 North Wayne Street, PO Box 507 Angola, IN 46703	(260) 665-1339 <u>Phone</u> (260) 665-7586	sales@vestil.com

In the written request, list the parts believed to be defective and include the address where replacements should be delivered.

What is covered under the warranty?

After Vestil receives your request for warranty service, an authorized representative will contact you to determine whether your claim is covered by the warranty. Before providing warranty service, Vestil may require you to send the entire product, or just the defective part or parts, to its facility in Angola, IN. The warranty covers defects in the following *original* dynamic components: motors, hydraulic pumps, electronic controllers, switches and cylinders. It also covers defects in *original* parts that wear under normal usage conditions ("wearing parts"): bearings, hoses, wheels, seals, brushes, batteries, and the battery charger.

How long is the warranty period?

The warranty period for original dynamic components is 30 days. For wearing parts, the warranty period is 30 days. The warranty periods begin on the date when Vestil ships the product to the warrantee. If the product was purchased from an authorized distributor, the periods begin when the distributor ships the product. Vestil may, at its sole discretion, extend the warranty periods for products shipped from authorized distributors by up to 30 days to account for shipping time.

If a defective part is covered by the warranty, what will Vestil do to correct the problem?

Vestil will provide an appropriate replacement for any *covered* part. An authorized representative of Vestil will contact you to discuss your claim.

What is not covered by the warranty?

1. Labor;
2. Freight;
3. Occurrence of any of the following, which automatically voids the warranty:
 - Product misuse;
 - Negligent operation or repair;
 - Corrosion or use in corrosive conditions;
 - Inadequate or improper maintenance;
 - Damage sustained during shipping;
 - Accidents involving the product;
 - Unauthorized modifications: DO NOT modify the product IN ANY WAY without first receiving written authorization from Vestil. Modification(s) might make the product unsafe to use or might cause excessive and/or abnormal wear.

Do any other warranties apply to the product?

Vestil Manufacturing Corp. makes no other express warranties. All implied warranties are disclaimed to the extent allowed by law. Any implied warranty not disclaimed is limited in scope to the terms of this Limited Warranty.

